

# KLEOS

MADE IN ITALY



# OMARV



## DESCRIPTION

**Compact tracked robot with 200lt KLEOS pneumatic sprayer**, suitable with configurable heads for vineyards, orchards.

Transmission with hydraulic motor commanded by the robot, it can be equipped with **mulcher up to 165cm working width**.

Sprayer unit has sandblasted and powder coated frame,  $\varnothing 400\text{mm}$  welded aluminum alloy fan with 2-speed multiplier plus disengagement. 12v Control unit for the electric sections, electric pressure regulator, isolable and washable suction filter plus washable delivery filter, 200lt polyethylene tank, complete with hand wash tank.

**Mulcher is OMARV Roero Hydro** with working width up to 165cm. rotor  $\varnothing 115\text{ mm}$ , rotor speed 2000 rpm/min, roller  $\varnothing 139\text{ mm}$ . it can be equipped with Hammers or 90° Knives.

Roero Hydro is a mulcher for vineyards and orchards suitable for mowing grass and prunings up to  $\varnothing 4\text{cm}$ . Adjustable side skids, Adjustable roller, Automatic belt tightener, 2 counter-knives.

## DESCRIZIONE

**Trattore robot cingolato con atomizzatore pneumatico 200lt KLEOS**, con testate configurabili per vigneti e frutteti.

Trasmissione con motore idraulico gestibile dal robot, **può essere equipaggiato con trinciatrice fino a 165cm**.

L'atomizzatore ha telaio sabbato e verniciato a polvere, ventola in lega di alluminio saldata  $\varnothing 400\text{mm}$  con moltiplicatore a 2 velocità più disinnesto. Gruppo di comando per le sezioni elettrico, regolatore di pressione elettrico, filtro di aspirazione isolabile e lavabile più filtro di mandata lavabile. Cisterna in polietilene da 200lt, completa di lavamani.

**La trinciatrice è una OMARV Roero Hydro** con larghezza fino a 165cm. rotore  $\varnothing 115\text{ mm}$ , velocità rotore 2000 giri/min, rullo posteriore  $\varnothing 139\text{ mm}$ . Equipaggiabile con mazze o coltelli a 90°.

La Roero Hydro è una trinciatrice per vigneto e frutteto, adatta a lavorare su erba e sarmenti fino a  $\varnothing 4\text{cm}$ . Slitte laterali regolabili, rullo posteriore regolabile, tendi-cinghia automatico, 2 contro coltelli.



**KLEOS**  
MADE IN ITALY

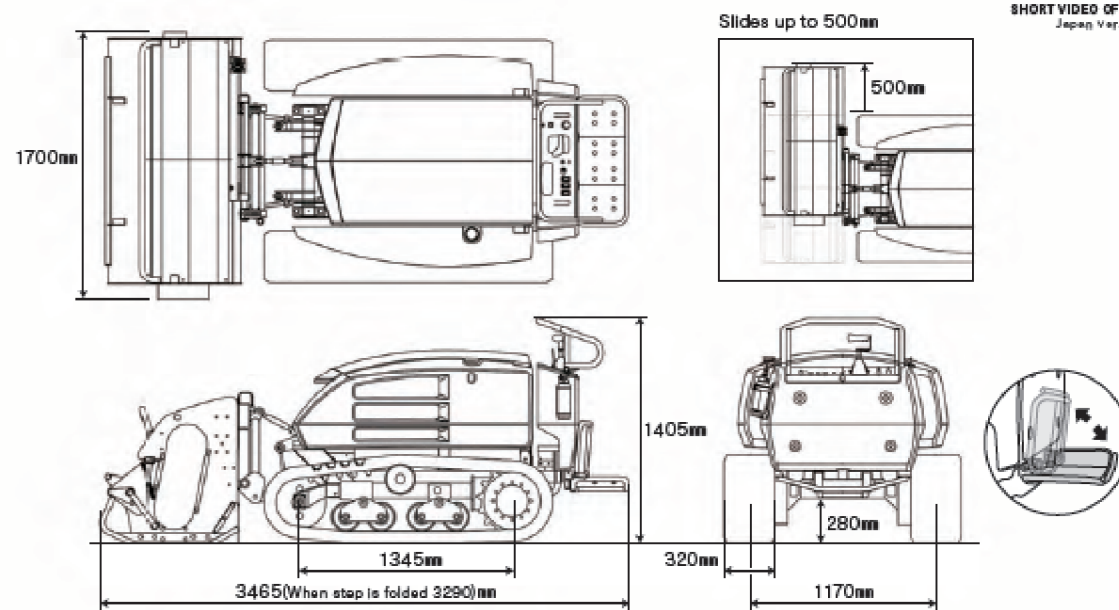


**SPECIFICATIONS**

**CG431 BUSH CUTTER GEORGE**  
STAND ON TRACKED FLAIL BRUSHCUTTER



SHORT VIDEO OF CG431 Japan Ver.



Model and Type		CG431		
Dimensions	Machine Mass	2000kg		
	Overall Length	3465mm		
	Overall Width	1700mm		
	Overall Height	1405mm		
	Track Contact Length	1345mm		
	Track Gauge	1170mm		
	Track Width	320mm		
	Ground Clearance	280mm		
	Average Ground Pressure	0.24kgf/cm <sup>2</sup>		
	Engine	Model	Kubota V2203	
Type		Water-cooled 4-cycle Diesel, In-line 4 cylinder		
Cylinder (Bore X Stroke)		87 X 92.4mm		
Displacement		2197cm <sup>3</sup> (2197cc)		
Rated Output		33.0kw(44.8PS)/2600rpm		
Maximum Torque		145.1N·m(14.8kgf·m)/1500rpm		
Starter System		Electric		
Fuel		Diesel Fuel		
Fuel Consumption		255g/kW·h(190g/PS·h)		
Fuel Tank Capacity		52 ℓ		
Oil Capacity	9.7 ℓ			
Coolant Capacity	8.5 ℓ			
Performance	Battery Type	100E41R		
	Battery Capacity	12V / 80AH		
	Speed	FWD	HI 0 - 9km/h / LO 0 - 6km/h	
		REV	HI 0 - 7km/h / LO 0 - 4.5km/h	
	Minimum Turning Radius	2.0m		
	Gradeability	35°		
	Stability Angle	Left 40° / Right 40°		
	Main Transmission	HST (2 Speed Motor)		
	Steering	Twin HST		
	Transmission Oil Capacity	42 ℓ		
Brakes	Hydraulic			
Cutting System	Cutting System	Flail		
	Cutting Width	1545mm		
	Number of Flails	80 Pairs		
	Rotor Drive	HST		
	Direction of Rotation	Same as/Opposite of Traveling		
	Rotor Translation	500mm (to the right)		
	Cutting Height	0 - 320mm		
Rotor Outer Diameter	410mm			

\*These specifications are subject to change without notice.



CHIKUSUI CANYCOM, INC.  
<http://www.canycom.jp/eng/>

■ **Headquarters**  
80-1 Fukumasu, Yoshii, Ukha, Fukuoka 839-1396 JAPAN  
TEL +81(943)75-2195 FAX +81(943)75-4396

■ **Hakata Office(Oversers Div.)**  
Yutoku Bldg 6F, 1-5 Nakagofuku-machi, Hakata, Fukuoka 812-0035, JAPAN  
TEL +81(92)272-1104 FAX +81(92)272-1119

■ **Tokyo Office**  
Onarimon Excellent Bldg 6F, 1-1-32, Shibadaimon, Minato, Tokyo, 105-0012, JAPAN  
TEL +81(3)6402-2621 FAX +81(3)6402-2622

■ **Austria Office**  
A-8524 Bad Gams 13, Austria  
TEL +43(0)69918300303 FAX +43(0)346332123  
<http://www.canycom.at/>

■ **Switzerland Office**  
Via Cantonale, Casa Virella 6574 Vira Switzerland  
TEL +41 44 5860810 FAX +41 32 5129428  
<http://www.canycom.org/>

**Key Operating Instructions** Please carefully review and adhere to the cautionary points below when operating the carrier vehicle. Depending on the conditions of the job site, the operational procedure of the vehicle will change, so please take particular caution according to the following instructions. Carefully review and follow the operator's manual before operating the machine. ■ Always inspect the brake and check for safety before operating the vehicle. ■ When operating the machine please be cautious of your surroundings to prevent accidents from flying stones and other objects. ■ Warning: Various use carriers and industrial vehicles are for use within operating areas and are not suitable for public roads. ■ Please note that we are not responsible for accidents caused by behaviour that goes against the precautions laid out in the operator's manual. ■ This catalog is based on models made in July 2016 and are subject to change. Please be aware that changes to and discontinuation of models (including engine models) or changes in price may occur due to inevitable societal circumstances. ■ Changes to specifications to improve models may occur without notice. ■ The appearance of products in this catalog may differ slightly from the actual models. (2016.6.1000)

# CG431 BUSH CUTTER GEORGE

STAND ON TRACKED FLAIL BRUSHCUTTER



MADE IN JAPAN

